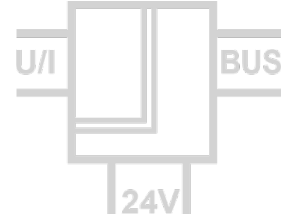


Standard Signal AI Module DMB 96100

Measuring input for Standard Signals, Modbus RTU



The Modbus Standard Signal AI Module is used for electrical isolated conversion of unipolar standard voltage and current signals.

All parameter can be set via Modbus RTU Interface. A subset of the most common settings is available via DIP switches.

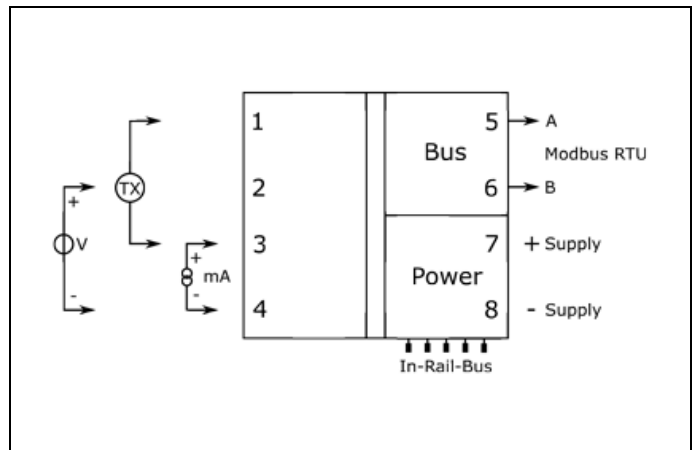
The measuring value can be read over the Modbus RTU (RS485) interface.

The 2-way isolation guarantees reliable decoupling of the sensor circuit from the processing circuit and the auxiliary power circuit. Auxiliary power and Modbus RTU can be connected via the connection terminals or via the In-Rail-Bus connector (see accessories).



- **Input for industrial standard signals**
current and voltage signals
- **In-Rail-Bus Connector for Modbus and Power Supply**
allows fast and economical installation
- **Protective Separation up to 300 V AC/DC**
test voltage 3 kV
- **Easy configurable**
via DIP switches or Modbus interface
- **Freely scalable**
up to 247 DRAGO modules in one Modbus segment
- **Extremely slim design**
6.2 mm slim housing for a simple and space saving DIN rail mounting
- **5 Years Warranty**
Defects occurring within 5 years from delivery date shall be remedied free of charge at our plant (carriage and insurance paid by sender)

Block Diagram



← 6mm

Technical Data

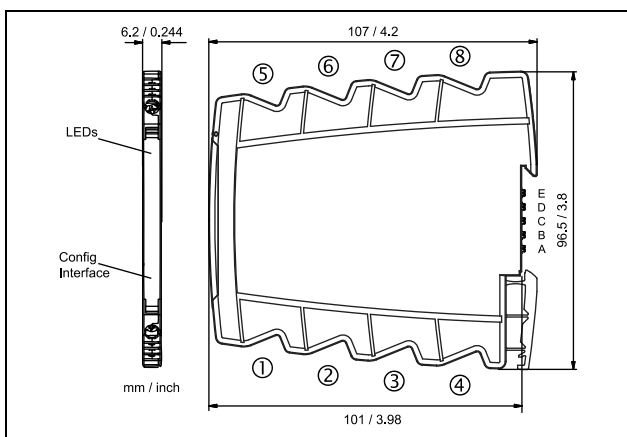
Input	Voltage	Current
Input signal	0 to 10 V 2 to 10 V 0 to 5 V 1 to 5 V	0 to 20 mA 4 to 20 mA
Input resistance	≥ 100 kΩ	≤ 25 Ω
Overload	≤ 30 V	≤ 50 mA
Transmitter supply	16 V (open circuit/short circuit < 22 V / 35 mA)	
Modbus		
Protocol	Modbus RTU (RS485)	
Module addressing	1 to 247	
Response delay	1 to 1000 ms	
Baud rate	300, 600, 1200, 2400, 4800, 9600, 19200, 38400, 57600, 115200	
Configuration	Parity: Even, Odd, None 2 stop bits, None 1 stop bit	
Connectivity	Up to 247 DRAGO Modbus devices without additional repeater (1/8 Load)	
Indication	Yellow LED on front panel	
Measuring range	0 to 115 %	
General Data		
Measuring error	< 0.1 % full scale	
Temperature coefficient ¹⁾	< 100 ppm/K	
Sampling rate	up to 100/s (a moving average filter with a width of 10 samples is applied internal)	
Test voltage	3 kV AC, 50 Hz, 1 min. Input against Modbus/power supply	
Working voltage ²⁾ (Basic insulation)	600 V AC/DC for overvoltage category II and pollution degree 2 acc. to EN 61010-1	
Protection against dangerous body currents ²⁾	Protective Separation by reinforced insulation acc. to DIN EN 61010-1 up to 300 V AC/DC for overvoltage category II and contamination class 2 between input and Modbus/power supply	
Ambient temperature	Operation: -25 °C to +70 °C (-13 to +158 °F) Transport and storage: -40 °C to +85 °C (-40 to +185 °F)	
Power supply	24 V DC voltage range 16.8 V to 31.2 V DC, max. 1.3 W	
EMC ³⁾	EN 61326-1	
Construction	6.2 mm (0.244") housing, protection type: IP 20, mounting on 35 mm DIN rail acc. to EN 60715	
Weight	Approx. 70 g	

1) Average TC related to full scale in specified operating temperature range, reference temperature 23 °C

2) As far as relevant the standards and rules mentioned above are considered by development and production of our devices. In addition relevant assembly rules are to be considered by installation of our devices in other equipment. For applications with high working voltages, take measures to prevent accidental contact and make sure that there is sufficient distance or insulation between adjacent situated devices.

3) Minor deviations possible during interference

Dimensions



Subject to change!

Terminal assignments

1	+ Transmitter Supply Tx	
2	+ Input U	
3	+ Input I	
4	- Input GND	
5	Modbus A	(connected to In-Rail-Bus A)
6	Modbus B	(connected to In-Rail-Bus B)
7	+ Power supply	(connected to In-Rail-Bus D)
8	- Power supply	(connected to In-Rail-Bus C)

Connection

Captive plus-minus clamp screws
 Wire cross-section max. 2.5 mm² / AWG 14
 Stripped length 6 to 8 mm / 0.28 in
 Screw terminal torque 0.8 Nm / 7 lbf in
 Optional power connection via In-Rail-Bus (see accessories)

Product line

Device	Order No.
Modbus Standard Signal AI Module DMB 96100, In-Rail-Bus for power supply and Modbus connection	DMB 96100 B