

# Euroboard for Analog Embedded Modules

## DZU 1120

for rack mounting



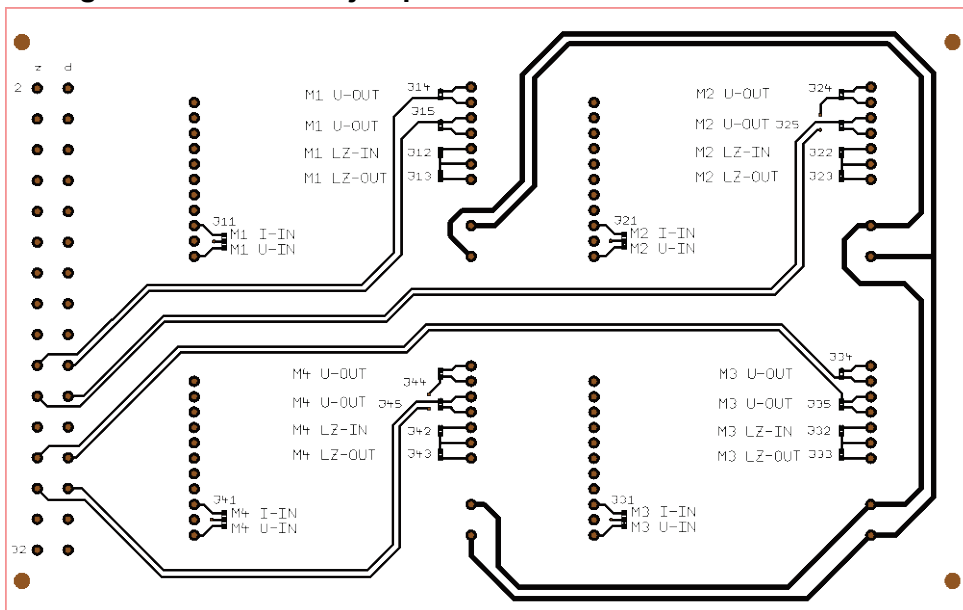
### Technical Data

Supply voltage	24 V DC    Z32+ D32-
Module count	Up to 4 pcs.
Separation distance	≥ 3 mm between modules inputs and outputs
Connector	Type F according to DIN 41612
Front	128,7 mm x 20,0 mm (3HE x 4TE)

### Terminal assignments

Module	1	2	3	4
Input	Z2+ D2-	Z6+ D6-	Z10+ D10-	Z14+ D14-
Output	Z20+ D20-	Z22+ D22-	Z26+ D26-	Z28+ D28-

### Configuration via solder jumpers on bottom side



### Order Information

Product	<b>Order No.</b>
Europa card (without modules)	DZU 1120

**DRAGO Automation GmbH**  
 Waldstrasse 86 - 90  
 13403 BERLIN  
 GERMANY

Phone: +49 (0)30 40 99 82 - 0  
 E-Mail: [info@drago-automation.de](mailto:info@drago-automation.de)  
 Internet: [www.drago-automation.de](http://www.drago-automation.de)